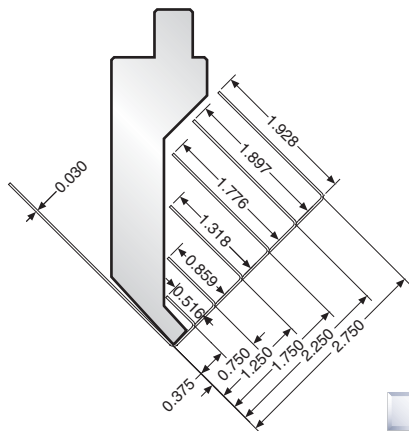
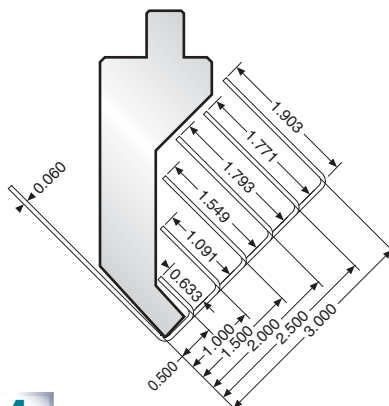


Allowable Return Flanges

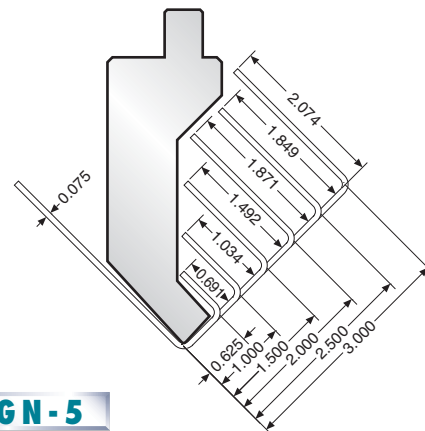
GN-1



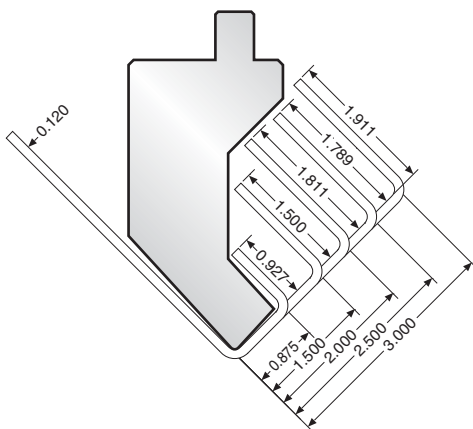
GN-2



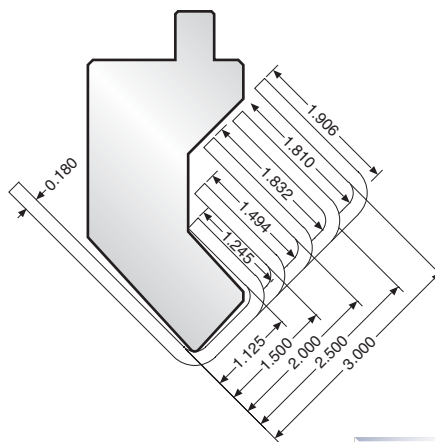
GN-3



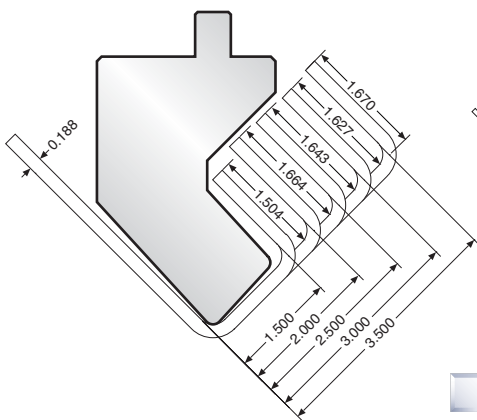
GN-4



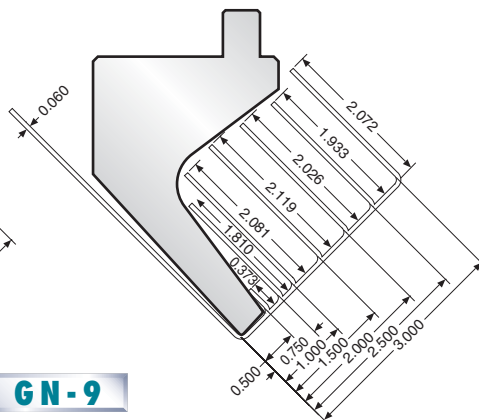
GN-5



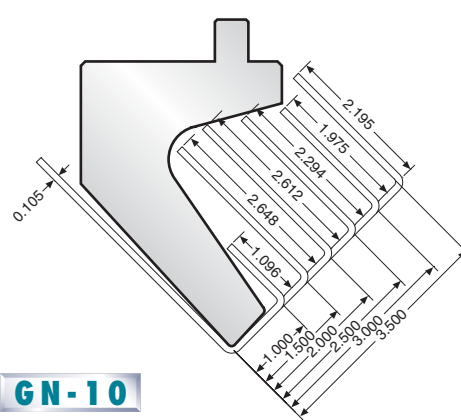
GN-6



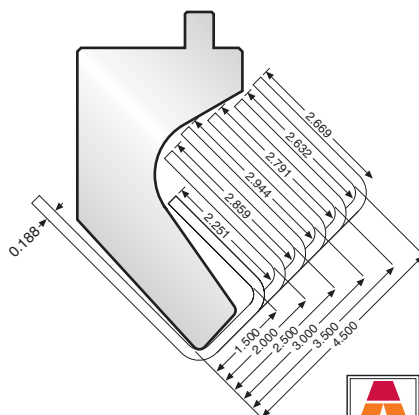
GN-7



GN-8



GN-9



GN-10

